



SMD Shielded Power Inductors - HCDS Series

FEATURES

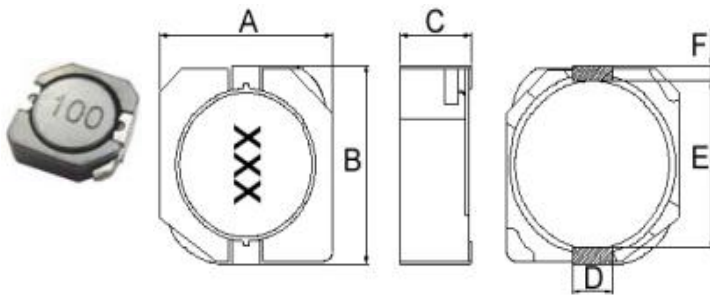
- * RoHS, Halogen Free and REACH Compliance
- * Magnetic shielded
- * Cost effective
- * Low DCR

ORDERING CODE(标志示例)

HCDS □□□□ - □□□ □
(1) (2) (3) (4)

- (1) HCDS 向华料号 Part Number
- (2) 尺寸 Dimensions
- (3) 电感量 Inductance
- (4) 电感量公差 Inductance Tolerance

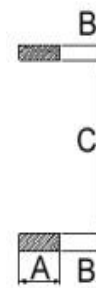
Shape and Dimensions



Dimensions in mm

TYPE	A	B	C	D	E	F
HCDS0603	6.3 ⁺⁰	6.3 ⁺⁰	3.0 ⁺⁰	2.0	4.0	0.9

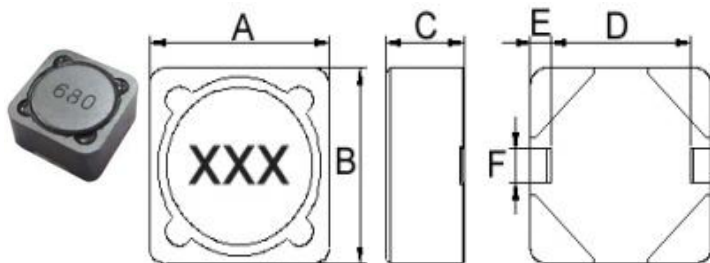
Recommended Pattern



Dimensions in mm

TYPE	A	B	C
HCDS0603	2.2	1.5	4.0

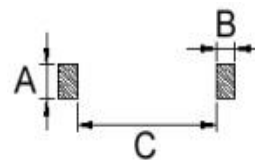
Shape and Dimensions



Dimensions in mm

TYPE	A	B	C	D	E	F
HCDS0745	7.3±0.2	7.3±0.2	4.8 ⁺⁰	5.5	0.9	2.0
HCDS0755	7.3±0.2	7.3±0.2	5.8 ⁺⁰	5.5	0.9	2.0
HCDS1255	12.5 ⁺⁰	12.5 ⁺⁰	5.8 ⁺⁰	8.0	2.0	2.7

Recommended Pattern



Dimensions in mm

TYPE	A	B	C
HCDS0745	2.2	1.5	4.8
HCDS0755	2.2	1.5	4.8
HCDS1255	3.2	2.6	7.5



SMD Shielded Power Inductors - HCDS0603R Series

HCDS0603R series Electrical Characteristics

Part No.	Inductance (μ H)	Tolerance (\pm %)	Test Freq.	SRF (MHz)Min	RDC (m Ω)max	Isat (A)	Irms (A)	Marking
HCDS0603R-6R8T	6.8	30	100KHz,1V	35	42	1.50	2.20	6R8
HCDS0603R-100M	10	20	100KHz,1V	20	63.8	1.30	1.80	100
HCDS0603R-150M	15	20	100KHz,1V	15	89.4	1.00	1.40	150
HCDS0603R-220M	22	20	100KHz,1V	10	124	0.77	1.30	220
HCDS0603R-330M	33	20	100KHz,1V	7	177	0.69	1.10	330
HCDS0603R-470M	47	20	100KHz,1V	5	252	0.59	0.92	470
HCDS0603R-680M	68	20	100KHz,1V	4	348	0.50	0.78	680
HCDS0603R-101M	100	20	100KHz,1V	4	516	0.42	0.64	101
HCDS0603R-151M	150	20	100KHz,1V	4	780	0.34	0.50	151
HCDS0603R-221M	220	20	100KHz,1V	3.2	1170	0.26	0.38	221

Note: When ordering, please specify tolerance code. Tolerance: M= \pm 20% , T= \pm 30%

- Operating temperature range $-40^{\circ}\text{C} \sim 125^{\circ}\text{C}$ (Including self temperature rise)
- Isat for Inductance drop 30% from its value without current
- Irms for a 20°C temperature rise from 25°C ambient



SMD Shielded Power Inductors - HCDS0745 Series

HCDS0745 series Electrical Characteristics

Part No.	Inductance (μ H)	Tolerance (\pm %)	Test Freq.	SRF (MHz)Min	RDC (m Ω)max	Isat (A)	Irms (A)	Marking
HCDS0745T-3R3M	3.3	20	100KHz,1V	90	24	2.50	2.30	3R3
HCDS0745T-4R7M	4.7	20	100KHz,1V	65	36	2.00	2.10	4R7
HCDS0745T-6R8M	6.8	20	100KHz,1V	24	40	1.70	1.74	6R8
HCDS0745T-100M	10	20	100KHz,1V	17	43.2	1.30	1.78	100
HCDS0745T-150M	15	20	100KHz,1V	14	62.4	1.10	1.53	150
HCDS0745T-220M	22	20	100KHz,1V	10.5	73.2	0.90	1.34	220
HCDS0745T-330M	33	20	100KHz,1V	10.0	115	0.82	1.09	330
HCDS0745T-470M	47	20	100KHz,1V	8.0	150	0.75	0.92	470
HCDS0745T-680M	68	20	100KHz,1V	7.0	210	0.60	0.77	680
HCDS0745T-101M	100	20	100KHz,1V	6.0	300	0.50	0.65	101
HCDS0745T-151M	150	20	100KHz,1V	4.0	408	0.40	0.55	151
HCDS0745T-221M	220	20	100KHz,1V	3.5	624	0.33	0.45	221
HCDS0745T-331M	330	20	100KHz,1V	3.0	880	0.25	0.37	331
HCDS0745T-471M	470	20	100KHz,1V	2.5	1260	0.22	0.31	471
HCDS0745T-681M	680	20	100KHz,1V	2.1	1770	0.20	0.27	681
HCDS0745T-102M	1000	20	100KHz,1V	1.1	2730	0.14	0.25	102

Note: When ordering, please specify tolerance code. Tolerance: **M=±20%**

- Operating temperature range $-40^{\circ}\text{C} \sim 125^{\circ}\text{C}$ (Including self temperature rise)
- Isat for Inductance drop 10% from its value without current
- Irms for a 20°C temperature rise from 25°C ambient



SMD Shielded Power Inductors - HCDS0755 Series

HCDS0755 series Electrical Characteristics

Part No.	Inductance (μ H)	Tolerance (\pm %)	Test Freq.	SRF (MHz)Min	RDC (m Ω)max	Isat (A)	Irms (A)	Marking
HCDS0755T-1R5T	1.5	30	100KHz,1V	75	20	6.20	4.00	1R5
HCDS0755T-2R2T	2.2	30	100KHz,1V	55	23	5.30	3.50	2R2
HCDS0755T-3R3T	3.3	30	100KHz,1V	48	31	4.30	3.30	3R3
HCDS0755T-4R7T	4.7	30	100KHz,1V	38	36	3.60	3.10	4R7
HCDS0755T-6R8T	6.8	30	100KHz,1V	35	44	3.00	2.80	6R8
HCDS0755T-100M	10	20	100KHz,1V	22	46	2.60	2.50	100
HCDS0755T-150M	15	20	100KHz,1V	14	60.9	2.10	2.20	150
HCDS0755T-220M	22	20	100KHz,1V	8	77	1.70	2.00	220

Note: When ordering, please specify tolerance code. Tolerance: M=±20% , T=±30%

- Operating temperature range -40°C ~ 125°C (Including self temperature rise)
- Isat for Inductance drop 10% from its value without current
- Irms for a 30°C temprature rise from 25°C ambient



SMD Shielded Power Inductors - HCDS1255 Series

HCDS1255 series Electrical Characteristics

Part No.	Inductance (μ H)	Tolerance (\pm %)	Test Freq.	SRF (MHz)Min	RDC (m Ω)max	Isat (A)	Irms (A)	Marking
HCDS1255T-6R0T	6	30	1KHz,1V	26	19.7	3.60	4.90	6R0
HCDS1255T-100M	10	20	1KHz,1V	17	25.8	3.40	4.30	100
HCDS1255T-150M	15	20	1KHz,1V	15	31.0	2.80	3.90	150
HCDS1255T-220M	22	20	1KHz,1V	11	40.6	2.30	3.40	220
HCDS1255T-330M	33	20	1KHz,1V	10	49.8	1.90	3.10	330
HCDS1255T-470M	47	20	1KHz,1V	8	74.2	1.60	2.50	470
HCDS1255T-680M	68	20	1KHz,1V	7.0	99.8	1.30	2.20	680
HCDS1255T-101M	100	20	1KHz,1V	5.5	140	1.10	1.80	101
HCDS1255T-151M	150	20	1KHz,1V	4.5	228	0.88	1.40	151
HCDS1255T-221M	220	20	1KHz,1V	3.0	324	0.72	1.20	221
HCDS1255T-331M	330	20	1KHz,1V	3.0	492	0.59	1.00	331
HCDS1255T-471M	470	20	1KHz,1V	2.5	624	0.49	0.88	471
HCDS1255T-681M	680	20	1KHz,1V	2.0	912	0.43	0.73	681
HCDS1255T-102M	1000	20	1KHz,1V	1.7	1344	0.34	0.60	102
HCDS1255T-152M	1500	20	1KHz,1V	1.4	2076	0.29	0.48	152

Note: When ordering, please specify tolerance code. Tolerance: M=±20%

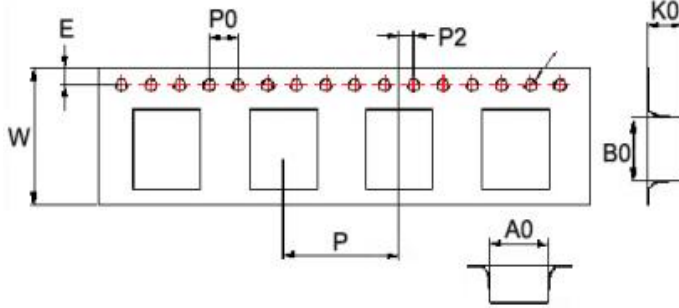
- Operating temperature range -40°C ~ 125°C (Including self temperature rise)
- Isat for Inductance drop 10% from its value without current
- Irms for a 20°C temprature rise from 25°C ambient



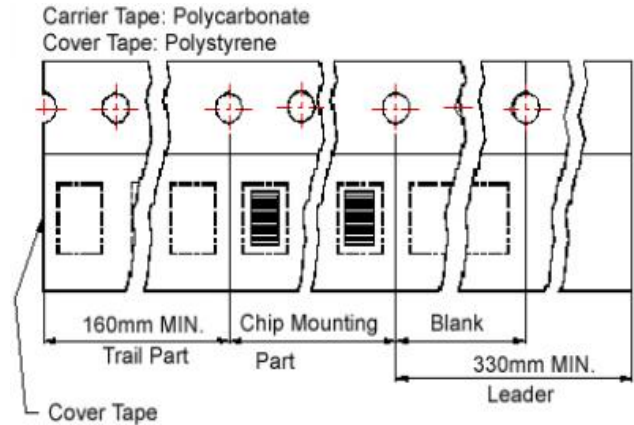
SMD Shielded Power Inductors - HCDS Series

Packaging Specifications

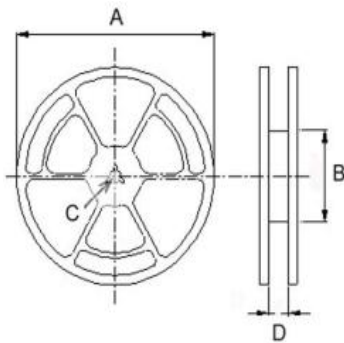
Tape Dimensions



Tape Material



Reel Dimensions



Dimensions in mm

TYPE	Tape Dimensions									Reel Dimensions				Quantity PCS/REEL
	A0	B0	K0	D	E	W	P	P0	P2	A	B	C	D	
HCDS0603	6.30	6.55	3.30	1.55	1.75	16	12	4	2	330	100	13	16	1000
HCDS0745	7.60	7.60	5.20	1.55	1.75	16	12	4	2	330	100	13	16	1000
HCDS0755	7.80	7.80	6.00	1.55	1.75	16	12	4	2	330	100	13	16	900
HCDS1255	12.60	12.60	6.70	1.55	1.75	24	16	4	2	330	100	13	24.2	600