



SMD Shielded Power Inductors - HCDS Series

FEATURES

- * RoHS, Halogen Free and REACH Compliance
- * Magnetic shielded
- * Various package size and wide inductance range

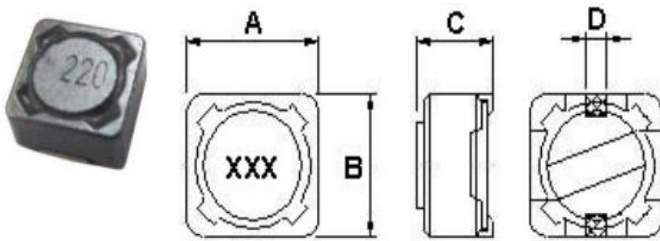
ORDERING CODE(标志示例)

HCDS □□□□ - □□□ □

(1) (2) (3) (4)

- (1) HCDS 向华料号 Part Number
- (2) 尺寸 Dimensions
- (3) 电感量 Inductance
- (4) 电感量公差 Inductance Tolerance

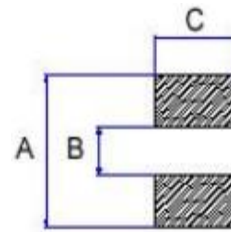
Shape and Dimensions



Dimensions in mm

TYPE	A	B	C	D
HCDS73	7.3±0.2	7.3±0.2	3.4 ⁺⁰	1.8
HCDS74	7.3±0.2	7.3±0.2	4.5 ⁺⁰	1.8

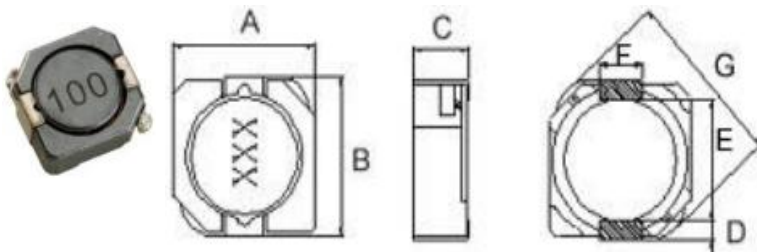
Recommended Pattern



Dimensions in mm

TYPE	A	B	C
HCDS73	8.4	4.4	2.2
HCDS74	8.4	4.4	2.2

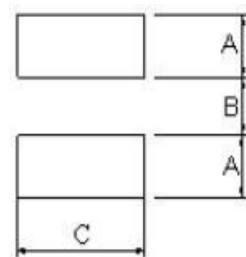
Shape and Dimensions



Dimensions in mm

TYPE	A	B	C	D	E	F	G	A	B	C
HCDS103	10.3 ⁺⁰	10.5 ⁺⁰	3.1 ⁺⁰	1.2	7.7	3.0	13.5 ⁺⁰	1.6	7.3	3.2
HCDS104	10.3 ⁺⁰	10.5 ⁺⁰	4.0 ⁺⁰	1.2	7.7	3.0	13.5 ⁺⁰	1.6	7.3	3.2
HCDS105	10.3 ⁺⁰	10.5 ⁺⁰	5.1 ⁺⁰	1.2	7.7	3.0	13.5 ⁺⁰	1.6	7.3	3.2

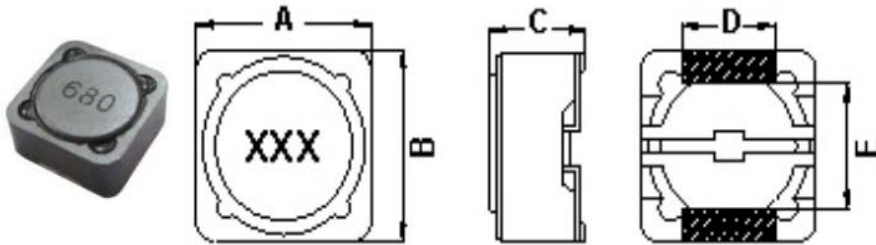
Recommended Pattern



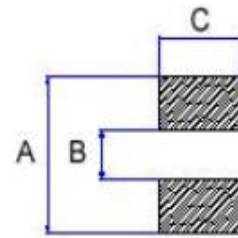


SMD Shielded Power Inductors - HCDS Series

Shape and Dimensions



Recommended Pattern



Dimensions in mm

TYPE	Shape and Dimensions					Recommended Pattern		
	A	B	C	D	E	A	B	C
HCDS124	12.5 ⁺⁰	12.5 ⁺⁰	4.5 ⁺⁰	5	7.6	13	7	5.4
HCDS125	12.5 ⁺⁰	12.5 ⁺⁰	6.0 ⁺⁰	5	7.6	13	7	5.4
HCDS127	12.5 ⁺⁰	12.5 ⁺⁰	8.0 ⁺⁰	5	7.6	13	7	5.4
HCDS129	12.5 ⁺⁰	12.5 ⁺⁰	10.0 ⁺⁰	5	7.6	13	7	5.4



SMD Shielded Power Inductors - HCDS73 Series

HCDS73 series Electrical Characteristics

Part No.	Inductance (μ H)	Tolerance (\pm %)	Test Freq.	RDC (Ω)max	Isat (A)Max	Marking
HCDS73T-1R5□	1.5	20	1KHz,1V	0.03	4.00	1R5
HCDS73T-2R2□	2.2	20	1KHz,1V	0.03	4.00	2R2
HCDS73T-3R3□	3.3	20	1KHz,1V	0.04	3.70	3R3
HCDS73T-6R8□	6.8	20	1KHz,1V	0.06	2.00	6R8
HCDS73T-100□	10	20	1KHz,1V	0.072	1.68	100
HCDS73T-120□	12	20	1KHz,1V	0.098	1.52	120
HCDS73T-150□	15	20	1KHz,1V	0.13	1.33	150
HCDS73T-180□	18	20	1KHz,1V	0.14	1.20	180
HCDS73T-220□	22	20	1KHz,1V	0.19	1.07	220
HCDS73T-270□	27	20	1KHz,1V	0.21	0.96	270
HCDS73T-330□	33	20	1KHz,1V	0.24	0.91	330
HCDS73T-390□	39	20	1KHz,1V	0.32	0.77	390
HCDS73T-470□	47	20	1KHz,1V	0.36	0.76	470
HCDS73T-560□	56	20	1KHz,1V	0.47	0.68	560
HCDS73T-680□	68	20	1KHz,1V	0.52	0.61	680
HCDS73T-820□	82	20	1KHz,1V	0.69	0.57	820
HCDS73T-101□	100	20	1KHz,1V	0.79	0.50	101
HCDS73T-121□	120	20	1KHz,1V	0.89	0.49	121
HCDS73T-151□	150	20	1KHz,1V	1.27	0.43	151
HCDS73T-181□	180	20	1KHz,1V	1.45	0.39	181
HCDS73T-221□	220	20	1KHz,1V	1.65	0.35	221
HCDS73T-271□	270	20	1KHz,1V	2.31	0.32	271
HCDS73T-331□	330	20	1KHz,1V	2.62	0.28	331
HCDS73T-391□	390	20	1KHz,1V	2.94	0.26	391
HCDS73T-471□	470	20	1KHz,1V	4.18	0.24	471
HCDS73T-561□	560	20	1KHz,1V	4.67	0.22	561
HCDS73T-681□	680	20	1KHz,1V	5.73	0.19	681
HCDS73T-821□	820	20	1KHz,1V	6.54	0.18	821
HCDS73T-102□	1000	20	1KHz,1V	9.44	0.16	102

Note: When ordering, please specify tolerance code. Tolerance: M=±20%

- Operating temperature range $-40^{\circ}\text{C} \sim 105^{\circ}\text{C}$ (Including self temperature rise)
- Isat for Inductance drop 35% from its value with current

**SMD Shielded Power Inductors - HCDS74 Series****HCDS74 series Electrical Characteristics**

Part No.	Inductance (μ H)	Tolerance (\pm %)	Test Freq.	RDC (Ω)max	Isat (A)Max	Marking
HCDS74T-1R5□	1.5	20	1KHz,1V	0.02	5.00	1R5
HCDS74T-1R8□	1.8	20	1KHz,1V	0.025	4.00	1R8
HCDS74T-2R2□	2.2	20,30	1KHz,1V	0.025	3.50	2R2
HCDS74T-2R7□	2.7	20,30	1KHz,1V	0.03	3.50	2R7
HCDS74T-3R3□	3.3	20,30	1KHz,1V	0.035	3.50	3R3
HCDS74T-3R6□	3.6	20,30	1KHz,1V	0.035	3.20	3R6
HCDS74T-4R7□	4.7	20,30	1KHz,1V	0.035	3.00	4R7
HCDS74T-6R8□	6.8	20	1KHz,1V	0.045	2.50	6R8
HCDS74T-100□	10	20	1KHz,1V	0.049	1.84	100
HCDS74T-120□	12	20	1KHz,1V	0.058	1.71	120
HCDS74T-150□	15	20	1KHz,1V	0.081	1.47	150
HCDS74T-180□	18	20	1KHz,1V	0.091	1.31	180
HCDS74T-220□	22	20	1KHz,1V	0.11	1.23	220
HCDS74T-270□	27	20	1KHz,1V	0.15	1.12	270
HCDS74T-330□	33	20	1KHz,1V	0.17	0.96	330
HCDS74T-390□	39	20	1KHz,1V	0.23	0.91	390
HCDS74T-470□	47	20	1KHz,1V	0.26	0.88	470
HCDS74T-560□	56	20	1KHz,1V	0.35	0.75	560
HCDS74T-680□	68	20	1KHz,1V	0.38	0.69	680
HCDS74T-820□	82	20	1KHz,1V	0.43	0.61	820
HCDS74T-101□	100	20	1KHz,1V	0.61	0.60	101
HCDS74T-121□	120	20	1KHz,1V	0.66	0.52	121
HCDS74T-151□	150	20	1KHz,1V	0.88	0.46	151
HCDS74T-181□	180	20	1KHz,1V	0.98	0.42	181
HCDS74T-221□	220	10,20	1KHz,1V	1.17	0.36	221
HCDS74T-271□	270	10,20	1KHz,1V	1.64	0.34	271
HCDS74T-331□	330	10,20	1KHz,1V	1.86	0.32	331
HCDS74T-391□	390	10,20	1KHz,1V	2.85	0.29	391
HCDS74T-471□	470	10,20	1KHz,1V	3.01	0.26	471
HCDS74T-561□	560	10,20	1KHz,1V	3.62	0.23	561
HCDS74T-681□	680	10,20	1KHz,1V	4.63	0.22	681
HCDS74T-821□	820	10,20	1KHz,1V	5.2	0.20	821
HCDS74T-102□	1000	10,20	1KHz,1V	6	0.18	102

Note: When ordering, please specify tolerance code. Tolerance: M=±20%

- Operating temperature range -40°C ~ 105°C (Including self temperature rise)
- Isat for Inductance drop 35% from its value with current

Please be sure to request approval specifications that provide further details of the products. Kindly note that the content of these specifications are subject to change or may be discontinued without advance notice. Please contact our sales department before ordering.



SMD Shielded Power Inductors - HCDS103R Series

HCDS103R series Electrical Characteristics

Part No.	Inductance (μ H)	Tolerance (\pm %)	Test Freq.	RDC (Ω)max	Isat (A)Max	Marking
HCDS103R-4R7□	4.7	30	100KHz,1V	0.03	4.65	4R7
HCDS103R-6R8□	6.8	30	100KHz,1V	0.035	3.84	6R8
HCDS103R-100□	10	20,30	100KHz,1V	0.059	3.18	100
HCDS103R-150□	15	20,30	100KHz,1V	0.091	2.60	150
HCDS103R-330□	33	20,30	100KHz,1V	0.202	1.74	330
HCDS103R-470□	47	20,30	100KHz,1V	0.299	1.43	470
HCDS103R-560□	56	20,30	100KHz,1V	0.325	0.90	560

Note: When ordering, please specify tolerance code. Tolerance: M= \pm 20% , T= \pm 30%

- Operating temperature range $-40^{\circ}\text{C} \sim 105^{\circ}\text{C}$ (Including self temperature rise)
- Isat for Inductance drop 35% from its value with current



SMD Shielded Power Inductors - HCDS104R Series

HCDS104R series Electrical Characteristics

Part No.	Inductance (μ H)	Tolerance (\pm %)	Test Freq.	RDC (Ω)max	Isat(A) Max(Typ.)	Marking
HCDS104R-1R5□	1.5	30,+40-20	100KHz,1V	0.0088	8.50(10.50)	1R5
HCDS104R-2R2□	2.2	30	100KHz,1V	0.012	8.00(10.50)	2R2
HCDS104R-2R5□	2.5	30	100KHz,1V	0.012	7.50(9.50)	2R5
HCDS104R-3R3□	3.3	30	100KHz,1V	0.015	7.00(8.70)	3R3
HCDS104R-3R8□	3.8	30	100KHz,1V	0.015	6.80(8.50)	3R8
HCDS104R-4R7□	4.7	20,30	100KHz,1V	0.02	5.80(7.30)	4R7
HCDS104R-5R2□	5.2	20,30	100KHz,1V	0.024	5.80(7.30)	5R2
HCDS104R-5R6□	5.6	20,30	100KHz,1V	0.027	5.00(6.50)	5R6
HCDS104R-6R8□	6.8	20,30	100KHz,1V	0.031	5.00(6.50)	6R8
HCDS104R-7R0□	7.0	20,30	100KHz,1V	0.031	4.80(5.90)	7R0
HCDS104R-8R2□	8.2	20,30	100KHz,1V	0.036	4.50(5.80)	8R2
HCDS104R-100□	10	20,30	100KHz,1V	0.04	4.00(5.00)	100
HCDS104R-150□	15	20,30	100KHz,1V	0.055	3.40(4.30)	150
HCDS104R-180□	18	20,30	100KHz,1V	0.075	2.90(3.60)	180
HCDS104R-220□	22	20,30	100KHz,1V	0.08	2.60(3.30)	220
HCDS104R-270□	27	20,30	100KHz,1V	0.096	2.40(3.00)	270
HCDS104R-330□	33	20,30	100KHz,1V	0.098	2.30(2.90)	330
HCDS104R-390□	39	20,30	100KHz,1V	0.12	2.10(2.70)	390
HCDS104R-470□	47	20,30	100KHz,1V	0.144	1.80(2.50)	470
HCDS104R-560□	56	20,30	100KHz,1V	0.175	1.60(2.10)	560
HCDS104R-680□	68	20,30	100KHz,1V	0.204	1.40(1.90)	680
HCDS104R-820□	82	20,30	100KHz,1V	0.250	1.30(1.70)	820
HCDS104R-101□	100	20,30	100KHz,1V	0.304	1.00(1.60)	101
HCDS104R-151□	150	20,30	100KHz,1V	0.506	0.96(1.30)	151
HCDS104R-221□	220	20,30	100KHz,1V	0.690	0.80(1.00)	221
HCDS104R-331□	330	20,30	100KHz,1V	1.09	0.68(0.86)	331
HCDS104R-471□	470	20,30	100KHz,1V	1.6	0.60(0.75)	471
HCDS104R-561□	560	20,30	100KHz,1V	1.68	0.50(0.68)	561

Note: When ordering, please specify tolerance code. Tolerance: M=±20% , T=±30% , N=+40% -20%

- Operating temperature range—40°C~105°C(Including self temperature rise)
- Isat for Inductance drop 35% from its value with current

**SMD Shielded Power Inductors - HCDS105R Series****HCDS105R series Electrical Characteristics**

Part No.	Inductance (μ H)	Tolerance ($\pm\%$)	Test Freq.	RDC (Ω)max	Isat(A) Max(Typ.)	Marking
HCDS105R-R80□	0.8	30	100KHz,1V	0.0062	10.80(13.50)	R80
HCDS105R-1R5□	1.5	30	100KHz,1V	0.0081	10.30(12.90)	1R5
HCDS105R-2R2□	2.2	30	100KHz,1V	0.011	9.20(11.00)	2R2
HCDS105R-3R3□	3.3	30	100KHz,1V	0.012	7.20(9.00)	3R3
HCDS105R-4R7□	4.7	20,30	100KHz,1V	0.014	5.60(7.80)	4R7
HCDS105R-6R8□	6.8	20,30	100KHz,1V	0.024	5.10(6.40)	6R8
HCDS105R-8R2□	8.2	20,30	100KHz,1V	0.027	4.70(5.90)	8R2
HCDS105R-100□	10	20,30	100KHz,1V	0.028	4.40(5.60)	100
HCDS105R-120□	12	20,30	100KHz,1V	0.036	3.40(5.80)	120
HCDS105R-150□	15	20,30	100KHz,1V	0.041	3.20(4.50)	150
HCDS105R-180□	18	20,30	100KHz,1V	0.046	3.00(3.80)	180
HCDS105R-220□	22	20,30	100KHz,1V	0.061	2.80(3.60)	220
HCDS105R-270□	27	20,30	100KHz,1V	0.069	2.10(3.20)	270
HCDS105R-330□	33	20,30	100KHz,1V	0.084	2.00(2.90)	330
HCDS105R-390□	39	20,30	100KHz,1V	0.106	1.90(2.60)	390
HCDS105R-470□	47	20,30	100KHz,1V	0.13	1.70(2.30)	470
HCDS105R-560□	56	20,30	100KHz,1V	0.149	1.60(2.20)	560
HCDS105R-680□	68	20,30	100KHz,1V	0.201	1.50(2.00)	680
HCDS105R-820□	82	20,30	100KHz,1V	0.227	1.30(1.80)	820
HCDS105R-101□	100	20,30	100KHz,1V	0.253	1.20(1.70)	101
HCDS105R-121□	120	20,30	100KHz,1V	0.303	1.10(1.50)	121
HCDS105R-151□	150	20,30	100KHz,1V	0.420	1.00(1.30)	151
HCDS105R-181□	180	20,30	100KHz,1V	0.45	0.90(1.20)	181
HCDS105R-221□	220	20,30	100KHz,1V	0.54	0.80(1.10)	221
HCDS105R-271□	270	20,30	100KHz,1V	0.672	0.75(0.90)	271
HCDS105R-331□	330	20,30	100KHz,1V	0.812	0.74(0.92)	331
HCDS105R-391□	390	20,30	100KHz,1V	0.953	0.62(0.83)	391
HCDS105R-471□	470	20,30	100KHz,1V	1.29	0.60(0.77)	471
HCDS105R-561□	560	20,30	100KHz,1V	1.430	0.47(0.71)	561
HCDS105R-681□	680	20,30	100KHz,1V	1.6	0.46(0.65)	681
HCDS105R-821□	820	20,30	100KHz,1V	1.77	0.42(0.57)	821
HCDS105R-102□	1000	20,30	100KHz,1V	2.2	0.40(0.54)	102

Note: When ordering, please specify tolerance code. Tolerance: M= \pm 20% , T= \pm 30%

- Operating temperature range—40°C~105°C(Including self temperature rise)
- Isat for Inductance drop 35% from its value with current

Please be sure to request approval specifications that provide further details of the products. Kindly note that the content of these specifications are subject to change or may be discontinued without advance notice. Please contact our sales department before ordering.



SMD Shielded Power Inductors - HCDS124 Series

HCDS124 series Electrical Characteristics

Part No.	Inductance (uH)	Tolerance (±%)	Test Freq.	RDC (Ω)max	Isat(A) Max(Typ.)	Marking
HCDS124T-3R3□	3.3	30	100KHz,1V	0.015	8.80(11.10)	3R3
HCDS124T-3R9□	3.9	30	100KHz,1V	0.016	8.00(10.10)	3R9
HCDS124T-4R7□	4.7	20,30	100KHz,1V	0.018	7.90(9.90)	4R7
HCDS124T-6R8□	6.8	20,30	100KHz,1V	0.023	6.50(8.30)	6R8
HCDS124T-100□	10	20,30	100KHz,1V	0.035	5.20(6.60)	100
HCDS124T-120□	12	20,30	100KHz,1V	0.038	4.80(6.20)	120
HCDS124T-150□	15	20,30	100KHz,1V	0.05	4.10(5.40)	150
HCDS124T-180□	18	20,30	100KHz,1V	0.057	4.00(5.10)	180
HCDS124T-220□	22	20,30	100KHz,1V	0.066	3.50(4.40)	220
HCDS124T-270□	27	20,30	100KHz,1V	0.08	3.10(3.90)	270
HCDS124T-330□	33	20,30	100KHz,1V	0.097	2.70(3.50)	330
HCDS124T-390□	39	20,30	100KHz,1V	0.132	2.10(3.20)	390
HCDS124T-470□	47	20,30	100KHz,1V	0.15	1.90(2.90)	470
HCDS124T-560□	56	20,30	100KHz,1V	0.19	1.80(2.60)	560
HCDS124T-680□	68	20,30	100KHz,1V	0.22	1.50(2.50)	680
HCDS124T-820□	82	20,30	100KHz,1V	0.26	1.30(2.30)	820
HCDS124T-101□	100	20,30	100KHz,1V	0.308	1.20(2.00)	101
HCDS124T-121□	120	20,30	100KHz,1V	0.38	1.10(1.80)	121
HCDS124T-151□	150	20,30	100KHz,1V	0.53	0.95(1.60)	151
HCDS124T-181□	180	20,30	100KHz,1V	0.62	0.50(1.40)	181
HCDS124T-221□	220	20,30	100KHz,1V	0.7	0.80(1.30)	221
HCDS124T-271□	270	20,30	100KHz,1V	0.876	0.60(1.10)	271
HCDS124T-331□	330	20,30	100KHz,1V	0.99	0.50(1.00)	331

Note: When ordering, please specify tolerance code. Tolerance: M=±20% , T=±30%

- Operating temperature range -40°C ~ 105°C (Including self temperature rise)
- Isat for Inductance drop 35% from its value with current

**SMD Shielded Power Inductors - HCDS125 Series****HCDS125 series Electrical Characteristics**

Part No.	Inductance (μ H)	Tolerance (\pm %)	Test Freq.	RDC (Ω)max	Isat(A) Max(Typ.)	Marking
HCDS125T-3R3□	3.3	30	1KHz,1V	0.015	8.00(11.00)	3R3
HCDS125T-4R7□	4.7	20,30	1KHz,1V	0.018	7.60(9.20)	4R7
HCDS125T-6R4□	6.4	20,30	1KHz,1V	0.018	6.40(8.10)	6R4
HCDS125T-8R2□	8.2	20,30	1KHz,1V	0.02	5.80(7.40)	8R2
HCDS125T-100□	10	20,30	1KHz,1V	0.025	5.30(6.80)	100
HCDS125T-120□	12	20,30	1KHz,1V	0.027	5.30(6.80)	120
HCDS125T-150□	15	20,30	1KHz,1V	0.03	4.00(5.20)	150
HCDS125T-180□	18	20,30	1KHz,1V	0.034	3.80(4.90)	180
HCDS125T-220□	22	20,30	1KHz,1V	0.036	3.60(4.80)	220
HCDS125T-270□	27	20,30	1KHz,1V	0.051	3.20(4.10)	270
HCDS125T-330□	33	20,30	1KHz,1V	0.057	2.90(3.70)	330
HCDS125T-390□	39	20,30	1KHz,1V	0.068	2.70(3.50)	390
HCDS125T-470□	47	20,30	1KHz,1V	0.084	2.40(3.10)	470
HCDS125T-560□	56	20,30	1KHz,1V	0.1	2.10(2.70)	560
HCDS125T-680□	68	20,30	1KHz,1V	0.12	2.00(2.60)	680
HCDS125T-820□	82	20,30	1KHz,1V	0.14	1.80(2.30)	820
HCDS125T-101□	100	20,30	1KHz,1V	0.16	1.60(2.10)	101
HCDS125T-121□	120	20,30	1KHz,1V	0.18	1.50(1.90)	121
HCDS125T-151□	150	20,30	1KHz,1V	0.23	1.30(1.70)	151
HCDS125T-181□	180	20,30	1KHz,1V	0.29	1.20(1.60)	181
HCDS125T-221□	220	20,30	1KHz,1V	0.32	1.00(1.40)	221
HCDS125T-271□	270	20,30	1KHz,1V	0.38	0.90(1.20)	271
HCDS125T-331□	330	20,30	1KHz,1V	0.48	0.75(1.10)	331
HCDS125T-391□	390	20,30	1KHz,1V	0.6	0.70(1.00)	391
HCDS125T-471□	470	20,30	1KHz,1V	0.7	0.65(0.99)	471
HCDS125T-561□	560	20,30	1KHz,1V	0.86	0.60(0.91)	561
HCDS125T-681□	680	20,30	1KHz,1V	1.1	0.55(0.82)	681
HCDS125T-821□	820	20,30	1KHz,1V	1.34	0.50(0.71)	821
HCDS125T-102□	1000	20,30	1KHz,1V	1.53	0.45(0.64)	102

Note: When ordering, please specify tolerance code. Tolerance: M= \pm 20% , T= \pm 30%

- Operating temperature range—40°C~105°C(Including self temperature rise)
- Isat for Inductance drop 35% from its value with current

Please be sure to request approval specifications that provide further details of the products. Kindly note that the content of these specifications are subject to change or may be discontinued without advance notice. Please contact our sales department before ordering.



SMD Shielded Power Inductors - HCDS127 Series

HCDS127 series Electrical Characteristics

Part No.	Inductance (μ H)	Tolerance (\pm %)	Test Freq.	RDC (Ω)max	Isat(A) Max(Typ.)	Marking
HCDS127T-1R5□	1.5	30	100KHz,1V	0.0074	21.60(28.0)	1R5
HCDS127T-2R2□	2.2	30,+40-20	100KHz,1V	0.0089	17.60(24.00)	2R2
HCDS127T-2R4□	2.4	30,+40-20	100KHz,1V	0.0089	17.60(24.00)	2R4
HCDS127T-3R3□	3.3	30,+40-20	100KHz,1V	0.0099	14.60(19.40)	3R3
HCDS127T-3R5□	3.5	30,+40-20	100KHz,1V	0.0123	13.80(17.40)	3R5
HCDS127T-4R7□	4.7	20,30	100KHz,1V	0.0158	12.30(15.40)	4R7
HCDS127T-6R1□	6.1	20,30,+40-20	100KHz,1V	0.0176	10.90(13.80)	6R1
HCDS127T-6R8□	6.8	20,30	100KHz,1V	0.018	10.80(13.70)	6R8
HCDS127T-7R6□	7.6	20,30	100KHz,1V	0.02	10.00(12.60)	7R6
HCDS127T-100□	10	20,30	1KHz,1V	0.022	8.90(11.20)	100
HCDS127T-120□	12	20,30	1KHz,1V	0.03	7.40(9.40)	120
HCDS127T-150□	15	20,30	1KHz,1V	0.034	7.10(9.00)	150
HCDS127T-180□	18	20,30	1KHz,1V	0.0392	6.50(8.20)	180
HCDS127T-220□	22	20,30	1KHz,1V	0.048	5.80(7.50)	220
HCDS127T-270□	27	20,30	1KHz,1V	0.052	5.30(6.70)	270
HCDS127T-330□	33	20,30	1KHz,1V	0.0648	4.80(6.10)	330
HCDS127T-390□	39	20,30	1KHz,1V	0.065	3.90(5.60)	390
HCDS127T-470□	47	20,30	1KHz,1V	0.1	3.60(5.20)	470
HCDS127T-560□	56	20,30	1KHz,1V	0.11	3.40(4.80)	560
HCDS127T-680□	68	20,30	1KHz,1V	0.12	2.80(4.10)	680
HCDS127T-820□	82	20,30	1KHz,1V	0.16	2.70(4.00)	820
HCDS127T-101□	100	20,30	1KHz,1V	0.17	2.50(3.50)	101
HCDS127T-121□	120	20,30	1KHz,1V	0.19	2.20(3.20)	121
HCDS127T-151□	150	20,30	1KHz,1V	0.25	2.00(2.90)	151
HCDS127T-181□	180	20,30	1KHz,1V	0.31	1.80(2.60)	181
HCDS127T-221□	220	20,30	1KHz,1V	0.35	1.70(2.40)	221
HCDS127T-271□	270	20,30	1KHz,1V	0.43	1.50(2.20)	271
HCDS127T-331□	330	20,30	1KHz,1V	0.51	1.20(2.00)	331
HCDS127T-391□	390	20,30	1KHz,1V	0.6	1.10(1.60)	391
HCDS127T-471□	470	20,30	1KHz,1V	0.71	0.99(1.60)	471
HCDS127T-561□	560	20,30	1KHz,1V	0.88	0.95(1.40)	561
HCDS127T-681□	680	20,30	1KHz,1V	1.04	0.84(1.20)	681
HCDS127T-821□	820	20,30	1KHz,1V	1.36	0.77(1.10)	821
HCDS127T-102□	1000	20,30	1KHz,1V	1.66	0.73(1.00)	102

Note: When ordering, please specify tolerance code. Tolerance: M= \pm 20% , T= \pm 30% , N= \pm 40% -20%

- Operating temperature range—40°C ~ 105°C (Including self temperature rise)
- Isat for Inductance drop 35% from its value with current



SMD Shielded Power Inductors - HCDS129 Series

HCDS129 series Electrical Characteristics

Part No.	Inductance (uH)	Tolerance (±%)	Test Freq.	RDC (Ω)max	Isat(A) Max	Marking
HCDS129T-100□	10	20,30	100 kHz,1 V	0.022	6.70	100
HCDS129T-150□	15	20,30	100 kHz,1 V	0.022	6.00	150
HCDS129T-220□	22	20,30	100 kHz,1 V	0.03	5.50	220
HCDS129T-330□	33	20,30	100 kHz,1 V	0.058	4.30	330
HCDS129T-470□	47	20,30	100 kHz,1 V	0.065	4.20	470
HCDS129T-680□	68	20,30	100 kHz,1 V	0.08	3.00	680
HCDS129T-101□	100	20,30	100 kHz,1 V	0.1599	2.40	101
HCDS129T-121□	120	20,30	100 kHz,1 V	0.165	2.50	121
HCDS129T-151□	150	20,30	100 kHz,1 V	0.185	1.80	151
HCDS129T-181□	180	20,30	100 kHz,1 V	0.203	2.00	181
HCDS129T-221□	220	20,30	100 kHz,1 V	0.24	1.60	221
HCDS129T-331□	330	20,30	100 kHz,1 V	0.45	1.28	331
HCDS129T-471□	470	20,30	100 kHz,1 V	0.51	1.50	471
HCDS129T-681□	680	20,30	100 kHz,1 V	0.63	1.30	681
HCDS129T-102□	1000	20,30	100 kHz,1 V	0.96	1.10	102

Note: When ordering, please specify tolerance code. Tolerance: M=±20% , T=±30% , N=+40% -20%

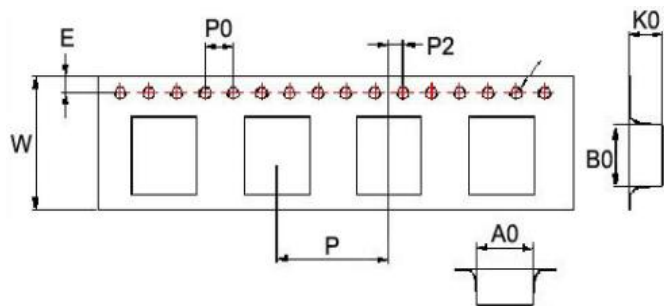
- Operating temperature range -40°C ~ 105°C (Including self temperature rise)
- Isat for Inductance drop 35% from its value with current



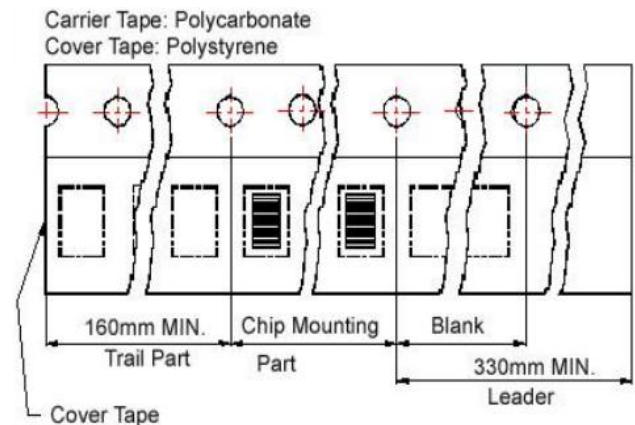
SMD Shielded Power Inductors - HCDS Series

Packaging Specifications

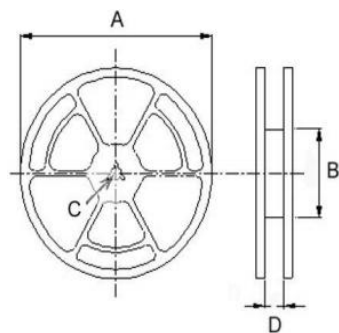
Tape Dimensions



Tape Material



Reel Dimensions



Dimensions in mm

TYPE	Tape Dimensions									Reel Dimensions				Quantity PCS/REEL
	A0	B0	K0	D	E	W	P	P0	P2	A	B	C	D	
HCDS73	7.60	7.60	3.60	1.55	1.75	16	12	4	2	330	100	13	16	1600
HCDS74	7.60	7.60	5.00	1.55	1.75	16	12	4	2	330	100	13	16	1000
HCDS103	10.60	10.75	4.20	1.55	1.75	24	16	4	2	330	100	13	24.4	1000
HCDS104	10.60	10.75	4.20	1.50	1.75	24	16	4	2	330	100	13	24.4	1000
HCDS105	10.60	10.60	5.00	1.50	1.75	24	16	4	2	330	100	13	24.4	500
HCDS124	13.00	12.80	5.10	1.55	1.75	24	16	4	2	330	100	13	24.4	500
HCDS125	12.60	12.60	6.70	1.55	1.75	24	16	4	2	330	100	13	24.4	600
HCDS127	12.60	12.60	8.70	1.55	1.75	24	16	4	2	330	100	13	24.4	500
HCDS129	12.60	12.60	10.00	1.55	1.75	24	20	4	2	330	100	13	24.4	300