



SMD Wire Wound Ferrite Chip Inductors - HFWD Series

FEATURES

- * RoHS compliant
- * Very strong solderability by reflow soldering and soldering iron
- * Highly accurate dimensions
- * Can be mounted automatically
- * Terminals are highly resistant to external forces
- * Highly reliable in environments of sudden temperature change and humidity
- * Full magnetic shielding, noise reduction

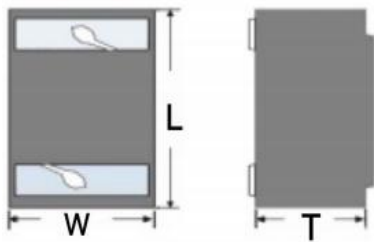


ORDERING CODE(标志示例)

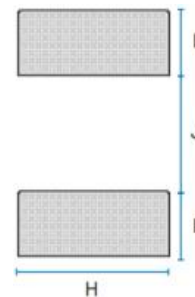
HFWD □□□□ - □□□ □
(1) (2) (3) (4)

- (1) HFWD 向华料号 Part Number
- (2) 尺寸 Dimensions
- (3) 电感量 Inductance
- (4) 电感量公差 Inductance Tolerance

Shape and Dimensions



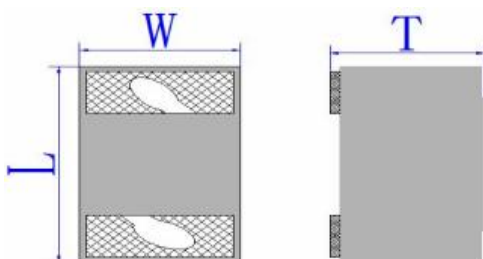
Recommended Pattern



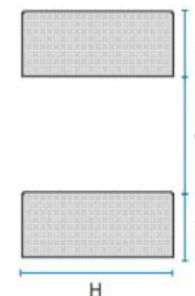
Dimensions in mm

TYPE	L(MAX)	W(MAX)	T(MAX)	H Typ.	I Typ.	J Typ.
HFWD0603	1.80	1.25	1.20	1.02	0.64	0.64

Shape and Dimensions



Recommended Pattern



Dimensions in mm

TYPE	L(MAX)	W(MAX)	T(MAX)	H Typ.	I Typ.	J Typ.
HFWD0805	2.40	1.73	1.52	1.78	1.02	0.76



SMD Wire Wound Ferrite Chip Inductors - HFWD0603 Series

HFWD0603 series Electrical Characteristics

Part No.	Inductance (μ H)	Test Freq. (MHz)	Q (Typ)	SRF (MHz)Typ	RDC(Ω) $\pm 30\%$	Isat (mA)Typ	Irms (mA)Typ
HFWD0603-1R0M	1.0	1	10	350	0.21	1100	720
HFWD0603-1R5M	1.5	1	10	300	0.39	650	520
HFWD0603-2R2M	2.2	1	10	250	0.46	680	480
HFWD0603-4R7M	4.7	1	10	100	0.70	450	400
HFWD0603-6R8M	6.8	1	9	50	1.25	360	300
HFWD0603-100M	10	1	9	25	1.50	270	380
HFWD0603-150M	15	1	9	25	2.00	270	230
HFWD0603-220M	22	1	9	10	3.90	220	160

Note: When ordering, please specify tolerance code. Tolerance: M= $\pm 20\%$

- Rating DC current: Temperature rise(ΔT) is 40°C approximately at Irms
- Isat for Inductance drop 10% from its value with current
- Operating temp.: -40°C ~ +85°C
- .Storage temp.: -10°C ~ +40°C R.H.: 65% Max
- Moisture sensitivity level (MSL) 2 (1 year floor life at <30°C/65% relative humidity)

Please be sure to request approval specifications that provide further details of the products. Kindly note that the content of these specifications are subject to change or may be discontinued without advance notice. Please contact our sales department before ordering.



SMD Wire Wound Ferrite Chip Inductors - HFWD0805 Series

HFWD0805 series Electrical Characteristics

Part No.	Inductance (μ H)	Test Freq. (MHz)	Q (Typ)	SRF (MHz)Typ	RDC(Ω) $\pm 30\%$	Isat (mA)Typ	Irms (mA)Typ
HFWD0805-1R0M	1.0	1	10	550	0.12	1200	1000
HFWD0805-1R5M	1.5	1	10	450	0.13	900	900
HFWD0805-2R2M	2.2	1	10	400	0.18	780	750
HFWD0805-4R7M	4.7	1	10	150	0.33	510	470
HFWD0805-6R8M	6.8	1	10	50	0.35	470	450
HFWD0805-100M	10	1	10	35	0.53	410	450
HFWD0805-150M	15	1	10	25	0.65	270	350
HFWD0805-220M	22	1	9	10	0.95	270	300

Note: When ordering, please specify tolerance code. Tolerance: M= $\pm 20\%$

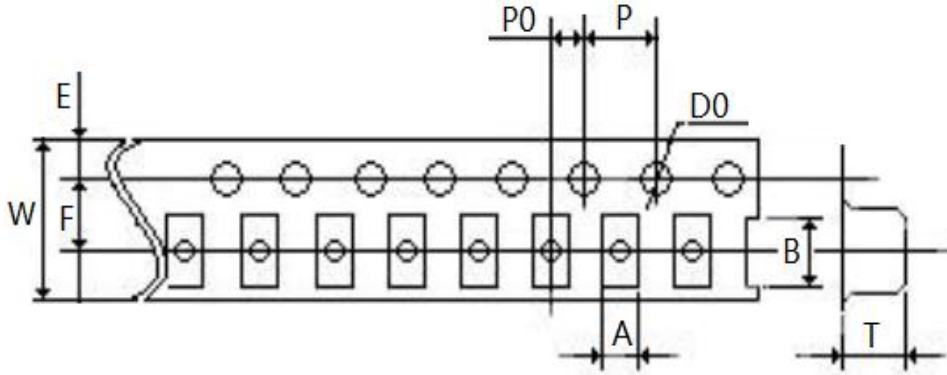
- Rating DC current: Temperature rise(ΔT) is 40°C approximately at Irms
- Isat for Inductance drop 10% from its value with current
- Operating temp.: -40°C ~ +85°C
- .Storage temp.: -10°C ~ +40°C R.H.: 65% Max
- Moisture sensitivity level (MSL) 2 (1 year floor life at <30°C/65% relative humidity)



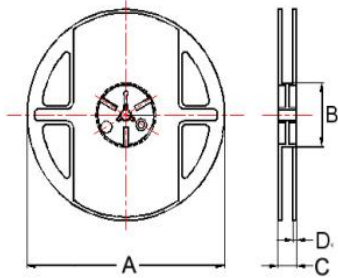
SMD Wire Wound Ferrite Chip Inductors - HFWD Series

Packaging Specifications

Tape Dimensions



Reel Dimensions



Dimensions in mm

TYPE	Tape Dimensions									Reel Dimensions				Quantity PCS/REEL
	W	A	B	T	P	P0	D0	E	F	A	B	C	D	
HFWC0603	8	1.15	1.83	0.95	4	2	1.5	1.75	3.5	178	60	12	2.0	4000
HFWC0805	8	1.85	2.4	1.45	4	2	1.5	1.75	3.50	178	60	12	2.0	2000