



SMD Power Inductors - HSF、HSB Series

FEATURES

- * SMD power inductors
- * High saturation characteristic core for large saturation current and low loss
- * Closed magnetic circuit design reduces leakage flux
- * High precision and lower DCR
- * Operating temperature range: -40 to +125°C(including self-temperature rise)
- * Halogen free, RoHS compliant
- * Moisture Sensitivity Level (MSL): 1

APPLICATIONS

- Server, desktop computer, notebook
- Graphics, memory
- Industrial equipment, telecom base station
- Multi-phase and Vcore regulators
- Battery power systems

ORDERING CODE(标志示例)

HSF □□□□ - □□□ □

(1) (2) (3) (4)

- (1) HSF/HSB 向华料号 Part Number
- (2) 尺寸 Dimensions
- (4) 电感量 Inductance
- (5) 电感量公差 Inductance Tolerance

MARKING(印字要求)




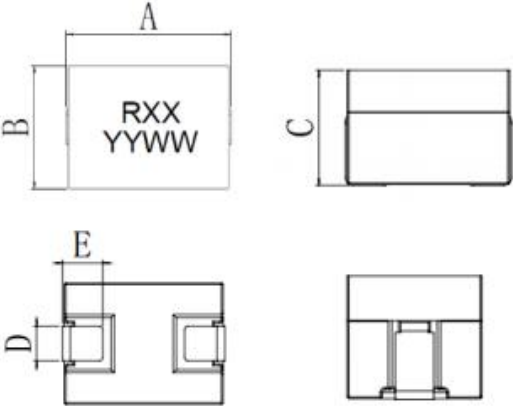
RXX: Product Inductance Value(Ex. R15=150nH)

YYWW: Manufactured Datecode

(Ex. 2105=2021Year 05 Week)



SMD Power Inductors - HSF100875 Series

SERIES	PHOTO	Shape & Dimensions(mm)				
		A	B	C	D	E
		10.2±0.2	8.0max	7.3±0.2	2.2±0.2	2.54±0.5
HSF100875						

HSF100875 series Electrical Characteristics

Part No.	Inductance (nH)±10%	RDC(mΩ) typical	Isat (Amps)	Irms (Amps)	Carrier Tape Width (mm)	Quantity (pcs/Reel)
HSF100875T-R12K	120	0.29	80	56	24	700
HSF100875T-R15K	150	0.29	73	56		
HSF100875T-R17K	170	0.29	66	56		
HSF100875T-R22K	220	0.29	50	56		
HSF100875T-R27K	270	0.29	40	56		
HSF100875T-R30K	300	0.29	35	56		
HSF100875T-R40K	400	0.29	25	56		

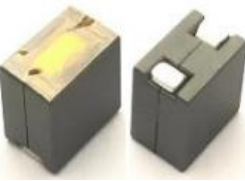
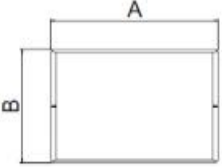
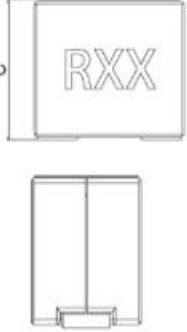
Note: When ordering, please specify tolerance code. Tolerance: K=±10% L=±15% M=±20% .

- All test data is referenced to 25°C ambient;
- Inductance value test condition at 100KHz, 0.1V;
- Isat: Peak current for approximately 20% rolloff;
- I rms: DC current for an approximate temperature rise of 40 °C without core loss;
- Reel Diameter is 330mm.

Please be sure to request approval specifications that provide further details of the products. Kindly note that the content of these specifications are subject to change or may be discontinued without advance notice. Please contact our sales department before ordering.



SMD Power Inductors - HSF 090609 Series

SERIES	PHOTO	Shape & Dimensions(mm)				
		A	B	C	D	E
		9.6max	6.4max	9.0max	2.6typ	2.5typ
HSF090609						

HSF090609 series Electrical Characteristics

Part No.	Inductance (nH)±10%	RDC(mΩ) typical	Isat (Amps)	Irms (Amps)	Carrier Tape Width (mm)	Quantity (pcs/Reel)
HSF090609T-R15K	150	0.17	75	66	24	500
HSF090609T-R17K	170	0.17	65	66		
HSF090609T-R18K	180	0.17	60	66		
HSF090609T-R30K	300	0.17	33	66		

Note: When ordering, please specify tolerance code. Tolerance: K=±10% L=±15% M=±20% .

- All test data is referenced to 25°C ambient;
- Inductance value test condition at 100KHz, 0.1V;
- Isat: Peak current for approximately 20% rolloff;
- Irms: DC current for an approximate temperature rise of 40 °C without core loss;
- Reel Diameter is 330mm.

Please be sure to request approval specifications that provide further details of the products. Kindly note that the content of these specifications are subject to change or may be discontinued without advance notice. Please contact our sales department before ordering.



SMD Power Inductors - HSF 100808 Series

SERIES	PHOTO	Shape & Dimensions(mm)				
		A	B	C	D	E
		10.8max	8.0max	8.2max	2.25typ	2.2typ
HSF100808						

HSF100808 series Electrical Characteristics

Part No.	Inductance (nH)±10%	RDC(mΩ) typical	Isat (Amps)	Irms (Amps)	Carrier Tape Width (mm)	Quantity (pcs/Reel)
HSF100808T-R10K	100	0.18	100+	74	24	400
HSF100808T-R12K	120	0.18	89	74		
HSF100808T-R15K	150	0.18	75	74		
HSF100808T-R18K	180	0.18	61	74		
HSF100808T-R22K	220	0.18	56	74		
HSF100808T-R27K	270	0.18	44	74		
HSF100808T-R30K	300	0.18	36	74		


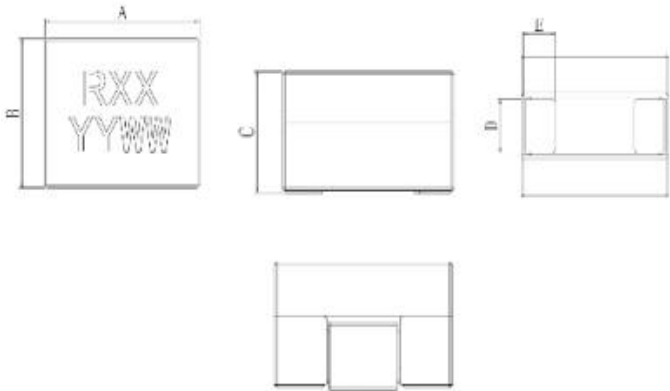
Note: When ordering, please specify tolerance code. Tolerance: K=±10% L=±15% M=±20% .

- All test data is referenced to 25°C ambient;
- Inductance value test condition at 100KHz, 0.1V;
- Isat: Peak current for approximately 20% rolloff;
- I rms: DC current for an approximate temperature rise of 40 °C without core loss;
- Reel Diameter is 330mm.

Please be sure to request approval specifications that provide further details of the products. Kindly note that the content of these specifications are subject to change or may be discontinued without advance notice. Please contact our sales department before ordering.



SMD Power Inductors - HSF070705 Series

SERIES	PHOTO	Shape & Dimensions(mm)				
		A	B	C	D	E
		7.0max	6.8max	5.0max	2.5typ	1.5typ
HSF070705						

HSF070705 series Electrical Characteristics

Part No.	Inductance (nH)±10%	RDC(mΩ) typical	Isat (Amps)	Irms (Amps)	Carrier Tape Width (mm)	Quantity (pcs/Reel)
HSF070705T-R07K	70	0.32	65	39	16	900
HSF070705T-R10K	100	0.32	46	39		
HSF070705T-R12K	120	0.32	37	39		
HSF070705T-R15K	150	0.32	30	39		
HSF070705T-R18K	180	0.32	25	39		
HSF070705T-R22K	220	0.32	20	39		


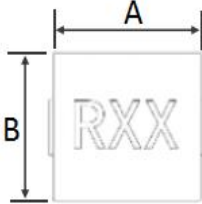
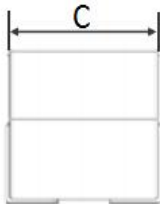
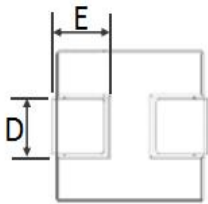
Note: When ordering, please specify tolerance code. Tolerance: K=±10% L=±15% M=±20% .

- All test data is referenced to 25°C ambient;
- Inductance value test condition at 100KHz, 0.1V;
- Isat: Peak current for approximately 20% rolloff;
- I rms: DC current for an approximate temperature rise of 40 °C without core loss;
- Reel Diameter is 330mm.

Please be sure to request approval specifications that provide further details of the products. Kindly note that the content of these specifications are subject to change or may be discontinued without advance notice. Please contact our sales department before ordering.



SMD Power Inductors - HSF040404 Series

SERIES	PHOTO	Shape & Dimensions(mm)				
		A	B	C	D	E
		4.0max	4.0max	4.0max	1.4typ	0.9typ
HSF040404						

HSF040404 series Electrical Characteristics

Part No.	Inductance (nH)±10%	RDC(mΩ) typical	Isat (Amps)	Irms (Amps)	Carrier Tape Width (mm)	Quantity (pcs/Reel)
HSF040404T-R05K	55	0.32	30	40	12	1800
HSF040404T-R06K	66	0.32	26	40		
HSF040404T-R08K	80	0.32	22	40		
HSF040404T-R10K	100	0.32	17	40		

Note: When ordering, please specify tolerance code. Tolerance: K=±10% L=±15% M=±20% .

- All test data is referenced to 25°C ambient;
- Inductance value test condition at 100KHz, 0.1V;
- Isat: Peak current for approximately 20% rolloff;
- Iirms: DC current for an approximate temperature rise of 40 °C without core loss;
- Reel Diameter is 330mm.

Please be sure to request approval specifications that provide further details of the products. Kindly note that the content of these specifications are subject to change or may be discontinued without advance notice. Please contact our sales department before ordering.



SMD Power Inductors - HSF121109 Series

SERIES	PHOTO	Shape & Dimensions(mm)				
		A	B	C	D	E
		11.5max	11.0max	9.0max	2.18typ	3.20typ
HSF121109						

HSF121109 series Electrical Characteristics

Part No.	Inductance (nH)±10%	RDC(mΩ) typical	Isat (Amps)	Irms (Amps)	Carrier Tape Width (mm)	Quantity (pcs/Reel)
HSF121109T-R15K	150	0.30	105	55	24	300
HSF121109T-R18K	180	0.30	90	55		
HSF121109T-R22K	220	0.30	78	55		
HSF121109T-R25K	250	0.30	68	55		
HSF121109T-R29K	290	0.30	55	55		
HSF121109T-R33K	330	0.30	54	55		
HSF121109T-R38K	380	0.30	45	55		
HSF121109T-R47K	470	0.30	38	55		
HSF121109T-R50K	500	0.30	32	55		

Note: When ordering, please specify tolerance code. Tolerance: K=±10% L=±15% M=±20% .

- All test data is referenced to 25°C ambient;
- Inductance value test condition at 100KHz, 0.1V;
- Isat: Peak current for approximately 20% rolloff;
- Iirms: DC current for an approximate temperature rise of 40 °C without core loss;
- Reel Diameter is 330mm.

Please be sure to request approval specifications that provide further details of the products. Kindly note that the content of these specifications are subject to change or may be discontinued without advance notice. Please contact our sales department before ordering.



SMD Power Inductors - HSF100807 Series

SERIES	PHOTO	Shape & Dimensions(mm)				
		A	B	C	D	E
		10.7max	8.0max	7.0max	2.1±0.05	2.2±0.15
HSF100807						

HSF100807 series Electrical Characteristics

Part No.	Inductance (nH)±10%	RDC(mΩ) typical	Isat (Amps)	Irms (Amps)	Carrier Tape Width (mm)	Quantity (pcs/Reel)
HSF100807T-R15K	150	0.29	75	61	24	700
HSF100807T-R18K	180	0.29	60	61		
HSF100807T-R22K	220	0.29	50	61		
HSF100807T-R27K	270	0.29	41	61		
HSF100807T-R30K	300	0.29	35	61		
HSF100807T-R33K	330	0.29	33	61		
HSF100807T-R39K	390	0.29	28	61		
HSF100807T-R47K	470	0.29	23.5	61		


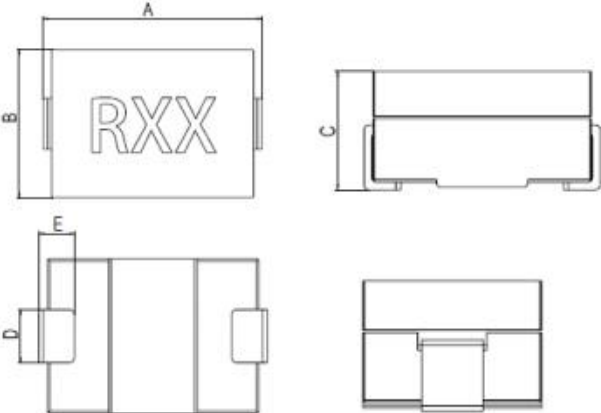
Note: When ordering, please specify tolerance code. Tolerance: K=±10% L=±15% M=±20% .

- All test data is referenced to 25°C ambient;
- Inductance value test condition at 100KHz, 0.1V;
- Isat: Peak current for approximately 20% rolloff;
- I rms: DC current for an approximate temperature rise of 40 °C without core loss;
- Reel Diameter is 330mm.

Please be sure to request approval specifications that provide further details of the products. Kindly note that the content of these specifications are subject to change or may be discontinued without advance notice. Please contact our sales department before ordering.



SMD Power Inductors - HSF100705 Series

SERIES	PHOTO	Shape & Dimensions(mm)				
		A	B	C	D	E
		10.2max	7.0max	5.0max	2.3±0.1	1.52±0.25
HSF100705						

HSF100705 series Electrical Characteristics

Part No.	Inductance (nH)±10%	RDC(mΩ) typical	Isat (Amps)	Irms (Amps)	Carrier Tape Width (mm)	Quantity (pcs/Reel)
HSF100705T-R08K	80	0.32	80	45	24	800
HSF100705T-R10K	100	0.32	62	45		
HSF100705T-R12K	120	0.32	56	45		
HSF100705T-R15K	150	0.32	50	45		
HSF100705T-R20K	200	0.32	33	45		
HSF100705T-R22K	220	0.32	30	45		


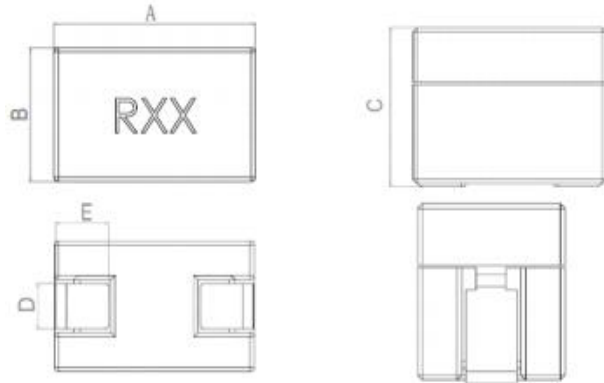
Note: When ordering, please specify tolerance code. Tolerance: K=±10% L=±15% M=±20% .

- All test data is referenced to 25°C ambient;
- Inductance value test condition at 100KHz, 0.1V;
- Isat: Peak current for approximately 20% rolloff;
- Iirms: DC current for an approximate temperature rise of 40 °C without core loss;
- Reel Diameter is 330mm.

Please be sure to request approval specifications that provide further details of the products. Kindly note that the content of these specifications are subject to change or may be discontinued without advance notice. Please contact our sales department before ordering.



SMD Power Inductors - HSF090608 Series

SERIES	PHOTO	Shape & Dimensions(mm)				
		A	B	C	D	E
		9.4±0.3	6.2±0.2	8.0max	2.14±0.2	2.3±0.5
HSF090608						

HSF090608 series Electrical Characteristics

Part No.	Inductance (nH)±10%	RDC(mΩ) typical	Isat (Amps)	Irms (Amps)	Carrier Tape Width (mm)	Quantity (pcs/Reel)
HSF090608T-R10K	100	0.29	94	45	24	600
HSF090608T-R12K	120	0.29	79	45		
HSF090608T-R15K	150	0.29	65	45		
HSF090608T-R18K	180	0.29	54	45		
HSF090608T-R22K	220	0.29	44	45		
HSF090608T-R30K	300	0.29	32.5	45		

Note: When ordering, please specify tolerance code. Tolerance: K=±10% L=±15% M=±20% .

- All test data is referenced to 25°C ambient;
- Inductance value test condition at 100KHz, 0.1V;
- Isat: Peak current for approximately 20% rolloff;
- I rms: DC current for an approximate temperature rise of 40 °C without core loss;
- Reel Diameter is 330mm.

Please be sure to request approval specifications that provide further details of the products. Kindly note that the content of these specifications are subject to change or may be discontinued without advance notice. Please contact our sales department before ordering.



SMD Power Inductors - HSF131308 Series

SERIES	PHOTO	Shape & Dimensions(mm)				
		A	B	C	D	E
		13.46max	12.95max	8.0max	5.08typ	2.54typ
HSF131308						

HSF131308 series Electrical Characteristics

Part No.	Inductance (nH)±10%	RDC(mΩ) typical	Isat (Amps)	Irms (Amps)	Carrier Tape Width (mm)	Quantity (pcs/Reel)
HSF131308T-R18K	180	0.29	90	45	24	350
HSF131308T-R21K	210	0.29	70	45		
HSF131308T-R26K	260	0.29	60	45		
HSF131308T-R32K	320	0.29	50	45		
HSF131308T-R44K	440	0.29	35	45		

Note: When ordering, please specify tolerance code. Tolerance: **K=±10%** **L=±15%** **M=±20%** .

- All test data is referenced to 25°C ambient;
- Inductance value test condition at 100KHz, 0.1V;
- Isat: Peak current for approximately 20% rolloff;
- I rms: DC current for an approximate temperature rise of 40 °C without core loss;
- Reel Diameter is 330mm.

Please be sure to request approval specifications that provide further details of the products. Kindly note that the content of these specifications are subject to change or may be discontinued without advance notice. Please contact our sales department before ordering.



SMD Power Inductors - HSF110707 Series

SERIES	PHOTO	Shape & Dimensions(mm)				
		A	B	C	D	E
		13.46max	12.95max	8.0max	5.08typ	2.54typ
HSF110707						

HSF110707 series Electrical Characteristics

Part No.	Inductance (nH)±10%	RDC(mΩ) typical	Isat (Amps)	Irms (Amps)	Carrier Tape Width (mm)	Quantity (pcs/Reel)
HSF110707T-R07K	70	0.29	100+	48	24	700
HSF110707T-R10K	100	0.29	100+	48		
HSF110707T-R12K	120	0.29	85	48		
HSF110707T-R15K	150	0.29	70	48		
HSF110707T-R23K	230	0.29	45	48		
HSF110707T-R30K	300	0.29	32	48		
HSF110707T-R40K	400	0.29	23	48		
HSF110707T-R50K	500	0.29	17	48		

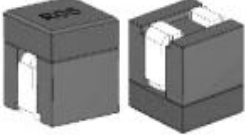
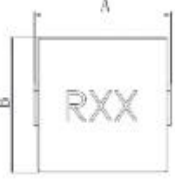
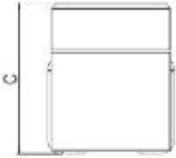
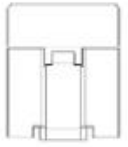
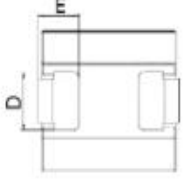
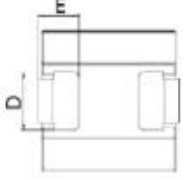
Note: When ordering, please specify tolerance code. Tolerance: K=±10% L=±15% M=±20% .

- All test data is referenced to 25°C ambient;
- Inductance value test condition at 100KHz, 0.1V;
- Isat: Peak current for approximately 20% rolloff;
- I rms: DC current for an approximate temperature rise of 40 °C without core loss;
- Reel Diameter is 330mm.

Please be sure to request approval specifications that provide further details of the products. Kindly note that the content of these specifications are subject to change or may be discontinued without advance notice. Please contact our sales department before ordering.



SMD Power Inductors - HSF050506 Series

SERIES	PHOTO	Shape & Dimensions(mm)				
		A	B	C	D	E
		5.2max	5.0max	6.1max	2.0±0.2	1.4±0.2
HSF050506						

HSF050506 series Electrical Characteristics

Part No.	Inductance (nH)±10%	RDC(mΩ) typical	Isat (Amps)	Irms (Amps)	Carrier Tape Width (mm)	Quantity (pcs/Reel)
HSF050506T-R05K	50	0.29	68	56	16	800
HSF050506T-R08K	80	0.29	44	56		
HSF050506T-R11K	110	0.29	31	56		
HSF050506T-R15K	150	0.29	17	56		


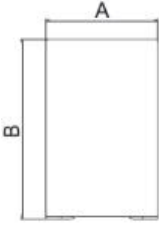
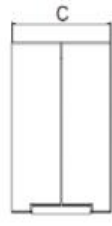
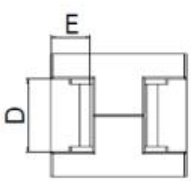

Note: When ordering, please specify tolerance code. Tolerance: K=±10% L=±15% M=±20% .

- All test data is referenced to 25°C ambient;
- Inductance value test condition at 100KHz, 0.1V;
- Isat: Peak current for approximately 20% rolloff;
- I rms: DC current for an approximate temperature rise of 40 °C without core loss;
- Reel Diameter is 330mm.

Please be sure to request approval specifications that provide further details of the products. Kindly note that the content of these specifications are subject to change or may be discontinued without advance notice. Please contact our sales department before ordering.



SMD Power Inductors - HSB070711 Series

SERIES	PHOTO	Shape & Dimensions(mm)				
		A	B	C	D	E
		7.2max	11.2max	6.7max	3.3typ	1.9typ
HSB070711						

HSB070711 series Electrical Characteristics

Part No.	Inductance (nH)±10%	RDC(mΩ) typical	Isat (Amps)	Irms (Amps)	Carrier Tape Width (mm)	Quantity (pcs/Reel)
HSB070711T-R10K	100	0.29	100+	40	24	300
HSB070711T-R12K	120	0.29	75	40		
HSB070711T-R15K	150	0.29	72	40		
HSB070711T-R18K	180	0.29	60	40		
HSB070711T-R20K	200	0.29	55	40		
HSB070711T-R22K	220	0.29	50	40		
HSB070711T-R23K	230	0.29	45	40		
HSB070711T-R33K	330	0.29	28	40		


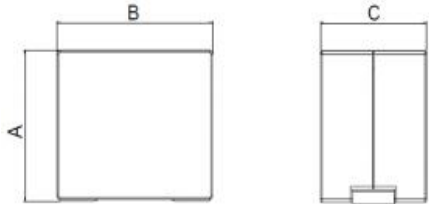
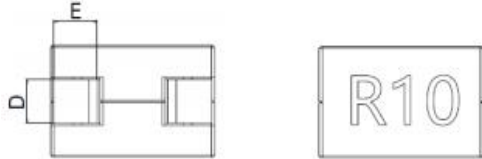

Note: When ordering, please specify tolerance code. Tolerance: K=±10% L=±15% M=±20% .

- All test data is referenced to 25°C ambient;
- Inductance value test condition at 100KHz, 0.1V;
- Isat: Peak current for approximately 20% rolloff;
- I rms: DC current for an approximate temperature rise of 40 °C without core loss;
- Reel Diameter is 330mm.

Please be sure to request approval specifications that provide further details of the products. Kindly note that the content of these specifications are subject to change or may be discontinued without advance notice. Please contact our sales department before ordering.



SMD Power Inductors - HSB100710 Series

SERIES	PHOTO	Shape & Dimensions(mm)				
		A	B	C	D	E
		10.0max	10.0max	7.0max	2.55±0.05	2.6±0.15
HSB100710						

HSB100710 series Electrical Characteristics

Part No.	Inductance (nH)±10%	RDC(mΩ) typical	Isat (Amps)	Irms (Amps)	Carrier Tape Width (mm)	Quantity (pcs/Reel)
HSB100710T-R10K	100	0.185	100+	50	24	350
HSB100710T-R12K	120	0.185	90	50		
HSB100710T-R15K	150	0.185	80	50		
HSB100710T-R18K	180	0.185	75	50		
HSB100710T-R20K	200	0.185	70	50		
HSB100710T-R22K	220	0.185	55	50		
HSB100710T-R28K	280	0.185	45	50		
HSB100710T-R33K	330	0.185	38	50		


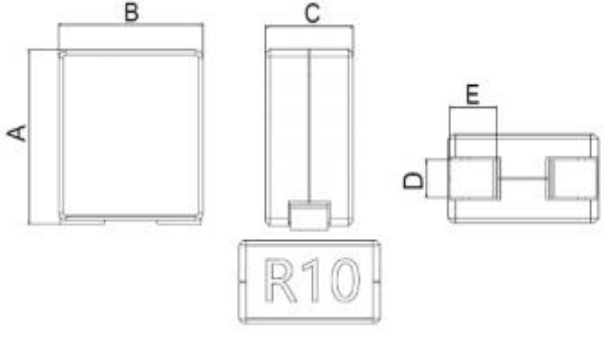
Note: When ordering, please specify tolerance code. Tolerance: K=±10% L=±15% M=±20% .

- All test data is referenced to 25°C ambient;
- Inductance value test condition at 100KHz, 0.1V;
- Isat: Peak current for approximately 20% rolloff;
- I rms: DC current for an approximate temperature rise of 40 °C without core loss;
- Reel Diameter is 330mm.

Please be sure to request approval specifications that provide further details of the products. Kindly note that the content of these specifications are subject to change or may be discontinued without advance notice. Please contact our sales department before ordering.



SMD Power Inductors - HSB100612 Series

SERIES	PHOTO	Shape & Dimensions(mm)				
		A	B	C	D	E
		12.0max	10.0max	6.0max	2.4±0.3	3.0±0.4
HSB100612						

HSB100612 series Electrical Characteristics

Part No.	Inductance (nH)±10%	RDC(mΩ) typical	Isat (Amps)	Irms (Amps)	Carrier Tape Width (mm)	Quantity (pcs/Reel)
HSB100612T-R07K	70	0.125	170	77	24	300
HSB100612T-R10K	100	0.125	125	77		
HSB100612T-R12K	120	0.125	105	77		
HSB100612T-R15K	150	0.125	83	77		
HSB100612T-R33K	330	0.125	35	77		

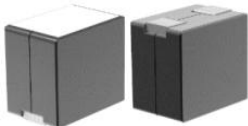
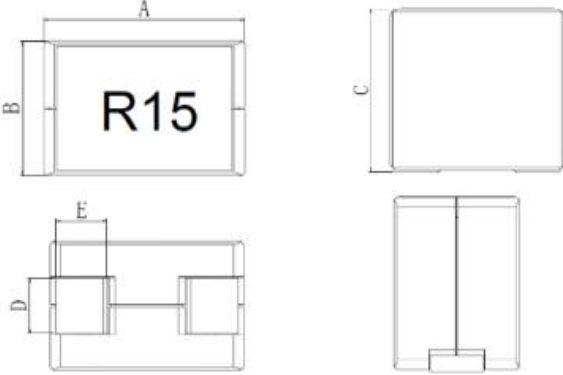
Note: When ordering, please specify tolerance code. Tolerance: K=±10% L=±15% M=±20% .

- All test data is referenced to 25°C ambient;
- Inductance value test condition at 100KHz, 0.1V;
- Isat: Peak current for approximately 20% rolloff;
- I rms: DC current for an approximate temperature rise of 40 °C without core loss;
- Reel Diameter is 330mm.

Please be sure to request approval specifications that provide further details of the products. Kindly note that the content of these specifications are subject to change or may be discontinued without advance notice. Please contact our sales department before ordering.



SMD Power Inductors - HSB100709 Series

SERIES	PHOTO	Shape & Dimensions(mm)				
		A	B	C	D	E
		10.0max	7.0max	9.0max	2.7±0.25	2.5±0.25
HSB100709						

HSB100709 series Electrical Characteristics

Part No.	Inductance (nH)±10%	RDC(mΩ) typical	Isat (Amps)	Irms (Amps)	Carrier Tape Width (mm)	Quantity (pcs/Reel)
HSB100709T-R10K	100	0.18	100+	70	24	400
HSB100709T-R12K	120	0.18	100+	70		
HSB100709T-R15K	150	0.18	75	70		
HSB100709T-R18K	180	0.18	65	70		
HSB100709T-R22K	220	0.18	44	70		
HSB100709T-R33K	330	0.18	30	70		
HSB100709T-R40K	400	0.18	28	70		

Note: When ordering, please specify tolerance code. Tolerance: K=±10% L=±15% M=±20% .

- All test data is referenced to 25°C ambient;
- Inductance value test condition at 100KHz, 0.1V;
- Isat: Peak current for approximately 20% rolloff;
- I rms: DC current for an approximate temperature rise of 40 °C without core loss;
- Reel Diameter is 330mm.

Please be sure to request approval specifications that provide further details of the products. Kindly note that the content of these specifications are subject to change or may be discontinued without advance notice. Please contact our sales department before ordering.



SMD Power Inductors - HSB100810 Series

SERIES	PHOTO	Shape & Dimensions(mm)				
		A	B	C	D	E
		10.0max	10.0max	8.0max	3.4typ	2.65typ
HSB100810						

HSB100810 series Electrical Characteristics

Part No.	Inductance (nH)±10%	RDC(mΩ) typical	Isat (Amps)	Irms (Amps)	Carrier Tape Width (mm)	Quantity (pcs/Reel)
HSB100810T-R10K	100	0.13	100+	65	24	300
HSB100810T-R12K	120	0.13	100+	65		
HSB100810T-R15K	150	0.13	75	65		
HSB100810T-R18K	180	0.13	65	65		
HSB100810T-R27K	270	0.13	42	65		
HSB100810T-R32K	320	0.13	40	65		

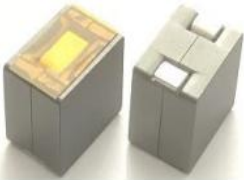
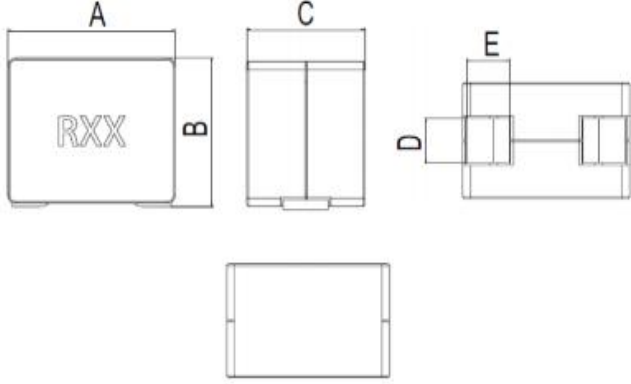
Note: When ordering, please specify tolerance code. Tolerance: K=±10% L=±15% M=±20% .

- All test data is referenced to 25°C ambient;
- Inductance value test condition at 100KHz, 0.1V;
- Isat: Peak current for approximately 20% rolloff;
- Irms: DC current for an approximate temperature rise of 40 °C without core loss;
- Reel Diameter is 330mm.

Please be sure to request approval specifications that provide further details of the products. Kindly note that the content of these specifications are subject to change or may be discontinued without advance notice. Please contact our sales department before ordering.



SMD Power Inductors - HSB110810 Series

SERIES	PHOTO	Shape & Dimensions(mm)				
		A	B	C	D	E
		10.7max	9.4±0.2	7.5max	2.4±0.3	3.0±0.4
HSB110810						

HSB110810 series Electrical Characteristics

Part No.	Inductance (nH)±10%	RDC(mΩ) typical	Isat (Amps)	Irms (Amps)	Carrier Tape Width (mm)	Quantity (pcs/Reel)
HSB110810T-R20K	200	0.23	70	38	24	350
HSB110810T-R22K	220	0.23	64	38		
HSB110810T-R27K	270	0.23	55	38		
HSB110810T-R30K	300	0.23	50	38		
HSB110810T-R32K	320	0.23	42	38		


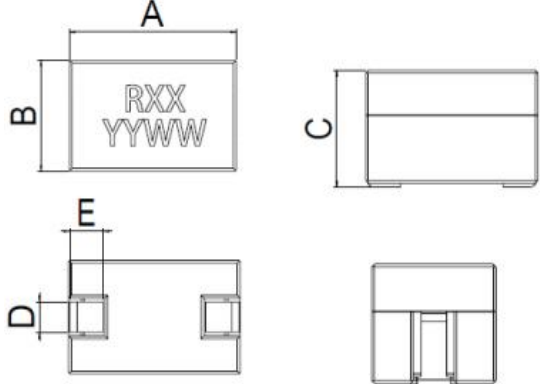
Note: When ordering, please specify tolerance code. Tolerance: K=±10% L=±15% M=±20% .

- All test data is referenced to 25°C ambient;
- Inductance value test condition at 100KHz, 0.1V;
- Isat: Peak current for approximately 20% rolloff;
- I rms: DC current for an approximate temperature rise of 40 °C without core loss;
- Reel Diameter is 330mm.

Please be sure to request approval specifications that provide further details of the products. Kindly note that the content of these specifications are subject to change or may be discontinued without advance notice. Please contact our sales department before ordering.



SMD Power Inductors - HSF120808 Series

SERIES	PHOTO	Shape & Dimensions(mm)				
		A	B	C	D	E
		12.1max	8.0max	8.0max	2.3typ	2.3typ
HSF120808						

HSF120808 series Electrical Characteristics

Part No.	Inductance (nH)±10%	RDC(mΩ) typical	Isat (Amps)	Irms (Amps)	Carrier Tape Width (mm)	Quantity (pcs/Reel)
HSF120808T-R15K	150	0.29	85	50	24	500
HSF120808T-R18K	180	0.29	72	50		
HSF120808T-R21K	210	0.29	65	50		
HSF120808T-R23K	230	0.29	61	50		
HSF120808T-R25K	250	0.29	55	50		


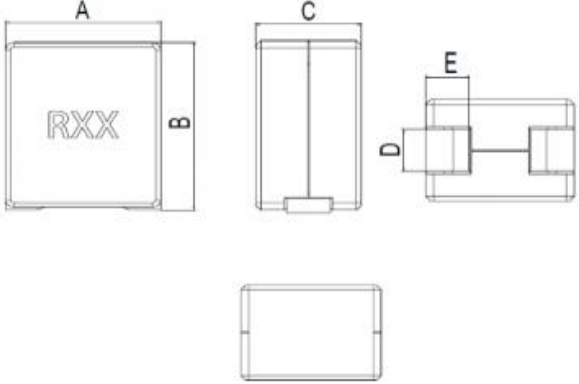
Note: When ordering, please specify tolerance code. Tolerance: K=±10% L=±15% M=±20% .

- All test data is referenced to 25°C ambient;
- Inductance value test condition at 100KHz, 0.1V;
- Isat: Peak current for approximately 20% rolloff;
- I rms: DC current for an approximate temperature rise of 40 °C without core loss;
- Reel Diameter is 330mm.

Please be sure to request approval specifications that provide further details of the products. Kindly note that the content of these specifications are subject to change or may be discontinued without advance notice. Please contact our sales department before ordering.



SMD Power Inductors - HSB090608 Series

SERIES	PHOTO	Shape & Dimensions(mm)				
		A	B	C	D	E
		9.6max	8.0max	6.4max	2.15±0.15	2.5±0.2
HSB090608						

HSB090608 series Electrical Characteristics

Part No.	Inductance (nH)±10%	RDC(mΩ) typical	Isat (Amps)	Irms (Amps)	Carrier Tape Width (mm)	Quantity (pcs/Reel)
HSB090608T-R10K	100	0.29	94	51	24	600
HSB090608T-R12K	120	0.29	79	51		
HSB090608T-R15K	150	0.29	65	51		
HSB090608T-R18K	180	0.29	55	51		
HSB090608T-R22K	220	0.29	44	51		
HSB090608T-R28K	280	0.29	34	51		
HSB090608T-R30K	300	0.29	32.5	51		

Note: When ordering, please specify tolerance code. Tolerance: K=±10% L=±15% M=±20% .

- All test data is referenced to 25°C ambient;
- Inductance value test condition at 100KHz, 0.1V;
- Isat: Peak current for approximately 20% rolloff;
- I rms: DC current for an approximate temperature rise of 40 °C without core loss;
- Reel Diameter is 330mm.

Please be sure to request approval specifications that provide further details of the products. Kindly note that the content of these specifications are subject to change or may be discontinued without advance notice. Please contact our sales department before ordering.