



SMD Shielded Power Inductors - HCPS Series-CA

FEATURES

- * RoHS compliant
- * Low Rdc and high saturation current for portable DC to DC converter line
- * High magnetic shielding construction provides high resolution for EMC protection
- * Support lead-free soldering



ORDERING CODE(标志示例)

HCPS □□□□ - □□□ □ - **CA**
(1) (2) (3) (4) (5)

- (1) HCPS 向华料号 Part Number
- (2) 尺寸 Dimensions
- (3) 电感量 Inductance
- (4) 电感量公差 Inductance Tolerance
- (5) 尾码 Tail code

Shape and Dimensions

Recommended Pattern

FIG1

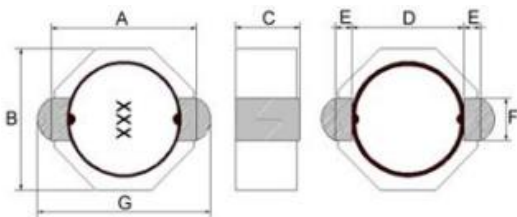
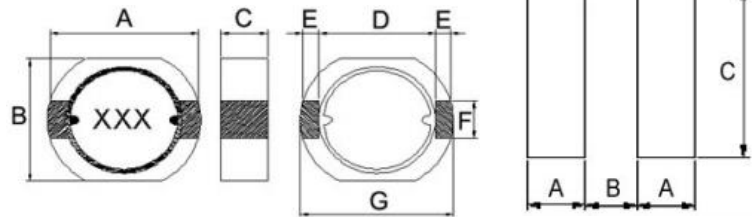


FIG2



Dimensions in mm

TYPE	FIG	A	B	C	D	E	F	G	TYPE	A	B	C
HCPS0522-CA	1	5.2±0.3	5.0±0.3	2.2Max	4.0	0.6	1.5	6.2Max	HCPS0522-CA	1.5	3.2	1.5
HCPS0725-CA	2	7.5±0.3	7.4±0.3	2.5Max	5.6	1.2	2.5	8.7Max	HCPS0725-CA	1.5	5.4	2.8
HCPS0740-CA	2	7.5±0.3	7.4±0.3	4.0Max	5.6	1.2	2.5	9.2Max	HCPS0740-CA	1.5	5.4	2.8



SMD Shielded Power Inductors - HCPS0522 Series-CA

HCPS0522 series Electrical Characteristics

Part No.	Inductance (μ H)	Tolerance (\pm %)	Test Freq.	RDC (m Ω)max	Isat (A)	Irms (A)	Marking
HCPS0522T-1R2 \square -CA	1.2	30	100KHz,1V	25	4.30	3.43	1R2
HCPS0522T-1R8 \square -CA	1.8	30	100KHz,1V	32	3.60	3.12	1R8
HCPS0522T-3R3 \square -CA	3.3	30	100KHz,1V	54	2.50	2.68	3R3
HCPS0522T-4R7 \square -CA	4.7	30	100KHz,1V	81	2.00	2.18	4R7
HCPS0522T-100 \square -CA	10	20,30	100KHz,1V	160	1.40	1.51	100
HCPS0522T-220 \square -CA	22	20,30	100KHz,1V	320	0.90	1.02	220
HCPS0522T-330 \square -CA	33	20,30	100KHz,1V	490	0.77	0.80	330

Note: When ordering, please specify tolerance code. Tolerance: M= \pm 20% , T= \pm 30%

- Operating temperature range—40 $^{\circ}$ C~125 $^{\circ}$ C(Including self - temperature rise)
- Isat for Inductance drop 30% from its value without current
- Irms for a 40 $^{\circ}$ C temperature rise from 25 $^{\circ}$ C ambient with current



SMD Shielded Power Inductors - HCPS0725 Series-CA

HCPS0725 series Electrical Characteristics

Part No.	Inductance (μ H)	Tolerance (\pm %)	Test Freq.	RDC (m Ω)max	Isat (A)	Irms (A)	Marking
HCPS0725T-1R0 \square -CA	1.0	30	100KHz,1V	14.28	8.30	6.22	1R0
HCPS0725T-1R5 \square -CA	1.5	30	100KHz,1V	19.7	7.20	5.00	1R5
HCPS0725T-2R2 \square -CA	2.2	30	100KHz,1V	24.09	5.40	4.40	2R2
HCPS0725T-3R3 \square -CA	3.3	30	100KHz,1V	41.2	4.40	3.70	3R3
HCPS0725T-4R7 \square -CA	4.7	30	100KHz,1V	49.7	4.00	3.20	4R7
HCPS0725T-5R6 \square -CA	5.6	20,30	100KHz,1V	58.9	3.90	2.90	5R6
HCPS0725T-6R8 \square -CA	6.8	20,30	100KHz,1V	66.3	3.50	2.70	6R8
HCPS0725T-100 \square -CA	10	20,30	100KHz,1V	92.4	2.80	1.90	100
HCPS0725T-150 \square -CA	15	20,30	100KHz,1V	170	2.30	1.70	150
HCPS0725T-220 \square -CA	22	20,30	100KHz,1V	210	1.50	1.52	220
HCPS0725T-330 \square -CA	33	20,30	100KHz,1V	320	1.40	1.10	330
HCPS0725T-470 \square -CA	47	20,30	100KHz,1V	490	1.20	0.95	470

Note: When ordering, please specify tolerance code. Tolerance: M= \pm 20% , T= \pm 30%

- Operating temperature range $-40^{\circ}\text{C} \sim 125^{\circ}\text{C}$ (Including self - temperature rise)
- Isat for Inductance drop 30% from its value without current
- Irms for a 40°C temperature rise from 25°C ambient with current



SMD Shielded Power Inductors - HCPS0740 Series-CA

HCPS0740 series Electrical Characteristics

Part No.	Inductance (uH)	Tolerance (±%)	Test Freq.	RDC (mΩ)max	Isat (A)	Irms (A)	Marking
HCPS0740T-1R0□-CA	1.0	30	100KHz,1V	6.38	12.00	9.00	1R0
HCPS0740T-1R5□-CA	1.5	30	100KHz,1V	8.64	10.00	8.00	1R5
HCPS0740T-1R8□-CA	1.8	30	100KHz,1V	9.6	8.60	7.92	1R8
HCPS0740T-2R5□-CA	2.5	30	100KHz,1V	13.6	7.20	7.40	2R5
HCPS0740T-3R3□-CA	3.3	30	100KHz,1V	17.8	6.80	6.70	3R3
HCPS0740T-4R7□-CA	4.7	20,30	100KHz,1V	26.6	4.60	4.90	4R7
HCPS0740T-5R6□-CA	5.6	20,30	100KHz,1V	29.0	4.10	4.60	5R6
HCPS0740T-6R8□-CA	6.8	20,30	100KHz,1V	34.0	3.90	3.90	6R8
HCPS0740T-100□-CA	10	20,30	100KHz,1V	55.6	3.40	3.25	100
HCPS0740T-150□-CA	15	20,30	100KHz,1V	74.4	3.00	2.70	150
HCPS0740T-220□-CA	22	20,30	100KHz,1V	98.1	2.40	2.40	220
HCPS0740T-330□-CA	33	20,30	100KHz,1V	140	2.00	1.90	330
HCPS0740T-470□-CA	47	20,30	100KHz,1V	217	1.70	1.48	470
HCPS0740T-560□-CA	56	20,30	100KHz,1V	260	1.50	1.33	560
HCPS0740T-680□-CA	68	20,30	100KHz,1V	310	1.36	1.20	680
HCPS0740T-820□-CA	82	20,30	100KHz,1V	360	1.20	1.12	820
HCPS0740T-101□-CA	100	20,30	100KHz,1V	480	1.12	0.95	101
HCPS0740T-121□-CA	120	20,30	100KHz,1V	560	1.00	0.89	121
HCPS0740T-151□-CA	150	20,30	100KHz,1V	710	0.92	0.82	151

Note: When ordering, please specify tolerance code. Tolerance: M=±20% , T=±30%

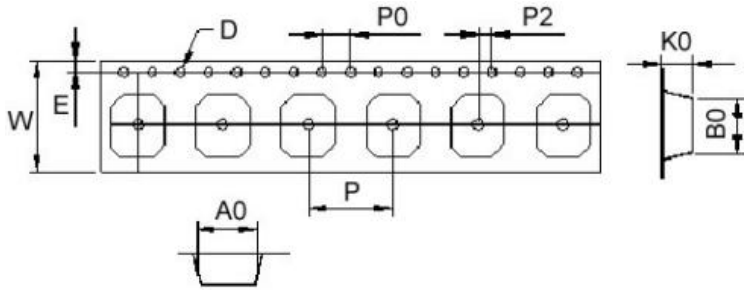
- Operating temperature range—40℃~125℃(Including self - temperature rise)
- Isat for Inductance drop 30% from its value without current
- I rms for a 40℃ temperature rise from 25℃ ambient with current



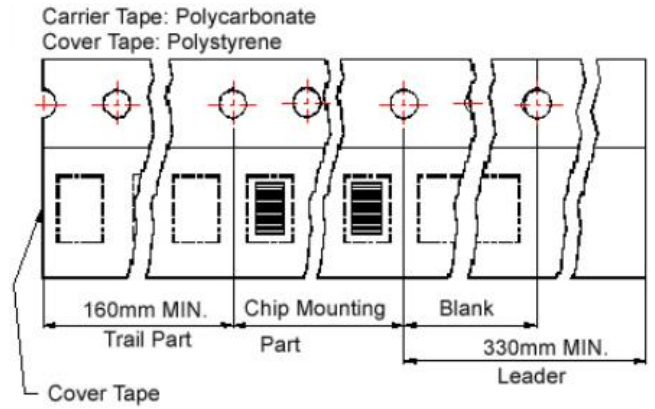
SMD Shielded Power Inductors - HCPS Series-CA

Packaging Specifications

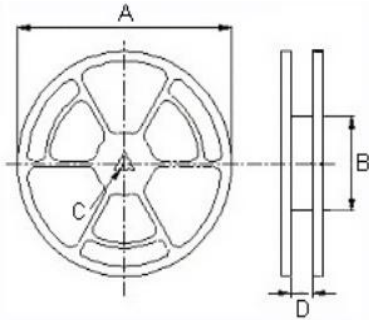
Tape Dimensions



Tape Material



Reel Dimensions



Dimensions in mm

TYPE	Tape Dimensions									Reel Dimensions				Quantity PCS/REEL
	A0	B0	K0	D	E	W	P	P0	P2	A	B	C	D	
HCPS0522-CA	5.35	6.20	2.40	1.55	1.75	16	8	4	2	330	100	13	16	2000
HCPS0725-CA	7.60	8.65	2.80	1.55	1.75	16	12	4	2	330	100	13	16	1500
HCPS0740-CA	7.60	9.00	4.30	1.55	1.75	16	12	4	2	330	100	13	16	1000